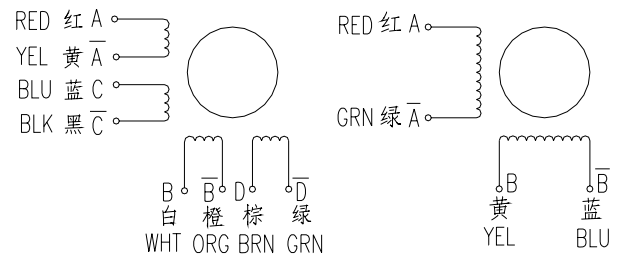


# 2 Phase Hybrid Stepper Motor 24H2A series-Size 60mm(1.8 degree)



**Wiring Diagram:**



UNI/BI-POLAR(8 LEADS)

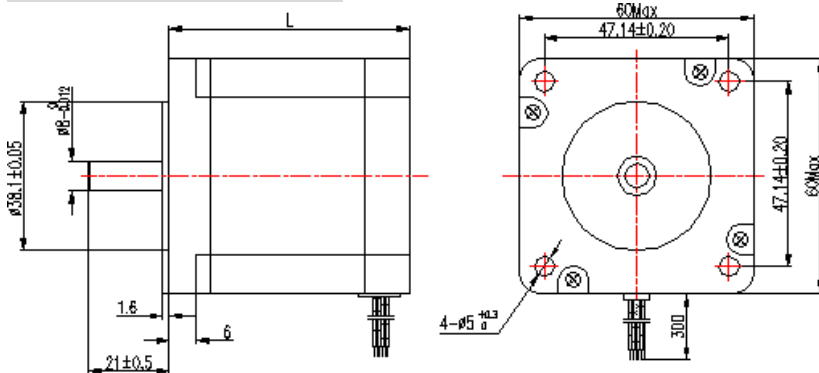
BI-POLAR(4LEADS)

**Electrical Specifications:**

Series Model	Old P/N	Motor Length (mm)	Rated Current (A)	Phase Resistance (ohm)	Phase Inductance (mH)	Holding Torque (N.cm Min)	Rotor Inertia (g.cm <sup>2</sup> )	Lead Wire (No.)	Motor Weight (g)	
24H2A4428	24HS4428	45	2.8	0.6	1.3	90	200	4	570	
24H2A5428	24HS5428	56	2.8	1.2	4.8	120	350	4	680	
24H2A6428	24HS6428	64	2.8	1.0	2.8	170	450	4	850	
24H2A7428	24HS7428	76	2.8	1.4	4.6	210	550	4	1100	
24H2A9442	24HS1442	90	4.2	0.8	3.0	300	780	4	1300	
24H2A9428	24HS1428	90	2.8	1.4	5.6	300	780	4	1300	
24H2A9830	24HS1830	90	U	3.0	1.4	3.2	212	780	8	1300
			B(s)	2.1	2.8	12.8	300			
			B(p)	4.2	0.7	3.2	300			
24H2A1428	24HS2428	100	4.2	0.8	3.5	330	780	4	1300	

\*Note: We can manufacture products according to customer's requirements.

**Dimensions: unit=mm**



**Motor Length:**

Model	Length
24H2A4XXX	45 mm
24H2A 5XXX	56 mm
24H2A 6XXX	64 mm
24H2A 7XXX	76 mm
24H2A 9XXX	90 mm
24H2A1XXX	100 mm